

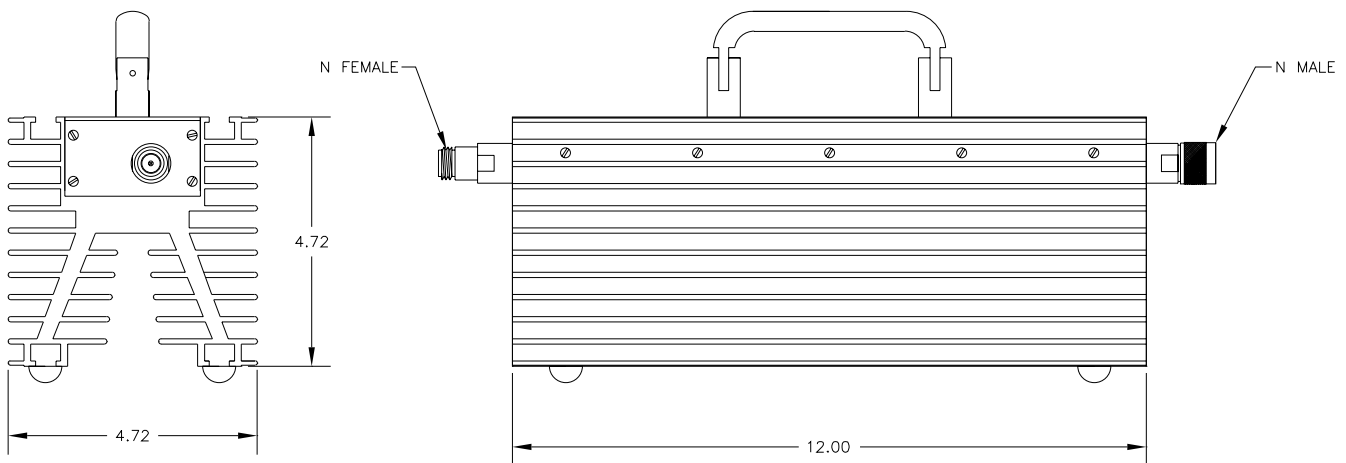
# 200 Watt Fixed Attenuators FHE Series

Model	Frequency Range	Attenuation Values *	Attenuation Accuracy	VSWR Maximum	RF Connectors
50FHE-XXX-200	DC-1000 MHz	3 thru 60 dB in any 1 dB increment	+/- .5 dB or 2% (whichever is greater)	1.3:1	BNC, N, TNC or 7/16

\* (XXX) insert attenuation value

## Common Specifications

Impedance	Input Power Average	Peak Power	Operating Temperature
50 Ohms	200 Watts @ 25° C derate to 100 Watts @ 100° C	1000 Watts peak	-55° C to +100° C



This catalog represents only 20% of our products. For YOUR application, please contact JFW at 1-877-887-4JFW